

# Wire Rope Thimble

North America

Europe

Russia

Southeast Asia

South America

Australia

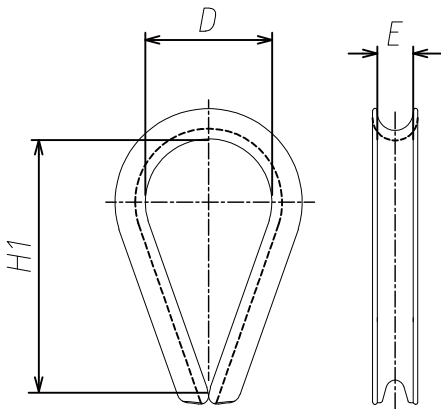
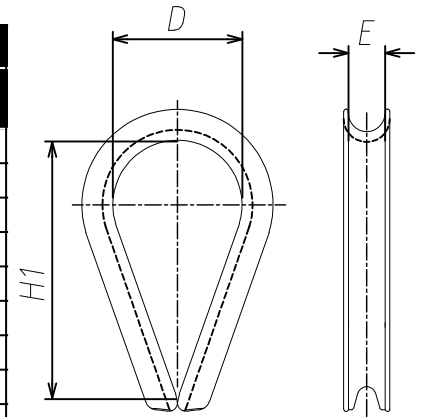


# WIRE ROPE THIMBLE

Leading The Way Of Precision Manufacturing

**1. DIN6899A Thimble**

Part No.	Rope Dia. (mm)	Weight (kg/100pc)	Dimensions(mm)		
			D	E	H1
TKR01009	2.50	0.14	10	3	21.5
TKR01010	3	0.35	11	3.5	23.5
TKR01011	4	0.42	13	5	28.5
TKR01012	5	0.8	14	6	30
TKR01013	6	0.81	15	7	33
TKR01014	7	1.1	16	8	35
TKR01015	8	1.7	18	9	39
TKR01016	9	2.1	20	10	43
TKR01017	10	3.5	22	11	47.5
TKR01018	11	3.7	24	12	51.5
TKR01019	12	5.25	26	13	56.5
TKR01020	13	7.25	28	14	61
TKR01021	15	8.33	32	16	69.5
TKR01022	16	17.9	35	18	78
TKR01023	18	27	40	20	86.5
TKR01024	20	35.5	44	22	95
TKR01025	26	-	52	105	48



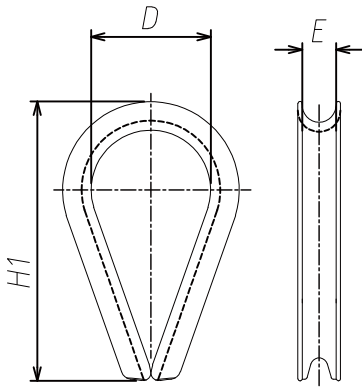
**2. DIN6899B Thimble**

Part No.	Rope Dia. (mm)	Dimensions(mm)			Weight (kg/100pc)
		D	E	H1	
TKR01026	2.50	12	3	19	0.66
TKR01027	3.50	13	4	21	0.8
TKR01028	4	14	5	23	0.8
TKR01029	5	16	6	25	1.89
TKR01030	6	18	7	28	1.89
TKR01031	7	20	8	32	3
TKR01032	9	24	10	38	5.2
TKR01033	11	28	12	45	78
TKR01034	13	32	14	51	11.6
TKR01035	15	36	16	58	15
TKR01036	17	40	18	64	26
TKR01037	18	45	20	72	32.7
TKR01038	20	50	22	80	43
TKR01039	22	56	24	90	56.5
TKR01040	24	62	26	99	65.7
TKR01041	26	70	28	112	79.5
TKR01042	28	75	30	120	110
TKR01043	30	80	32	128	125
TKR01044	32	92	34	152	153.7



# Wire Rope Thimble

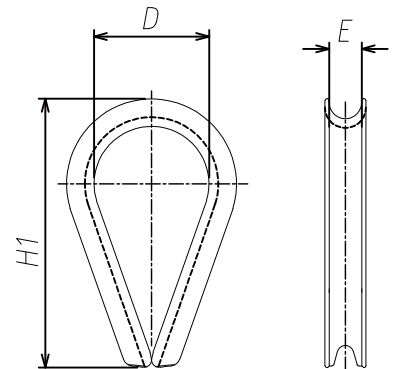
## 3.US Type G411 Thimble



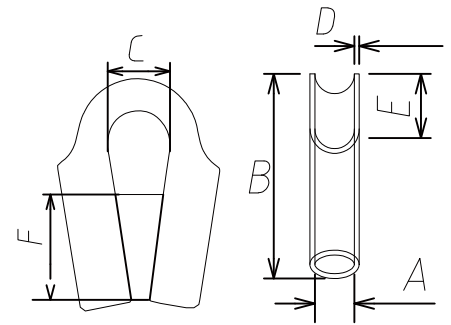
Part No.	Rope Dia (in.)	Weight (lbs./100pc)	Dimensions(in.)		
			H1	D	E
TKR01045	1/8	3.5	1.94	0.69	0.16
TKR01046	3/16	3.5	1.94	0.69	0.22
TKR01047	1/4	3.5	1.94	0.69	0.28
TKR01048	5/16	4	2.13	0.81	0.34
TKR01049	3/8	6.7	2.38	0.94	0.41
TKR01050	1/2	12.5	2.75	1.13	0.53
TKR01051	5/8	34.5	3.5	1.38	0.66
TKR01052	3/4	47.1	3.75	1.63	0.78
TKR01053	7/8	84.6	5	1.88	0.94
TKR01054	1	97.5	5.69	2.5	1.06
TKR01055	1-1/8 - 1-1/4	175	6.25	2.75	1.31

## 4.US Type G414 Thimble

Part No.	Rope Dia. (in.)	Weight (lbs./100pc)	Dimensions(in.)		
			H1	D	E
TKR01056	1/4	7	2.19	0.88	0.28
TKR01057	5/16	14	2.5	1.06	0.34
TKR01058	3/8	23	2.88	1.12	0.41
TKR01059	7/16	37	3.25	1.25	0.47
TKR01060	1/2 - 9/16	50	3.62	1.5	0.59
TKR01061	5/8	82	4.25	1.75	0.66
TKR01062	3/4	157	5	2	0.78
TKR01063	7/8	190	5.5	2.25	0.94
TKR01064	1	280	6.12	2.5	1.06
TKR01065	1-1/8 - 1-1/4	-	7	2.88	1.31
TKR01066	1-1/4 - 1-3/8	830	9.08	3.5	1.44
TKR01067	1-3/8 - 1-1/2	1250	9	3.5	1.56
TKR01068	1-5/8	-	11.25	4	1.72
TKR01069	1-3/4	1860	12.19	4.5	1.84
TKR01070	1-7/8 - 2	2780	15.12	6	2.09
TKR01071	2-1/4	-	17.5	7	2.38

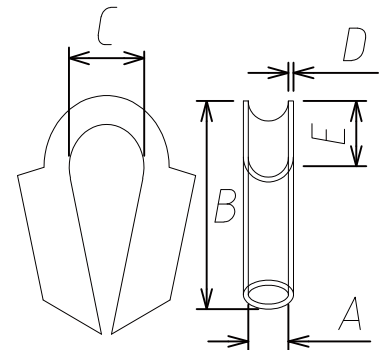


**5. Tube Thimble With Gusset**



Part No.	Rope Dia. (mm)	Weight (kg)	Dimensions(mm)					
			A	B	C	D	E	F
TKR01072	12	0.25	12	90	23	4	8	48
TKR01073	15	0.42	15	109	27	5	10	49
TKR01074	17	0.5	17	115	27	5	10	49
TKR01075	19	0.6	19	125	32	5	12	43
TKR01076	22	0.75	22	140	35	5	15	50
TKR01077	25	1.23	25	158	45	6.3	16	59
TKR01078	28	1.54	28	176	45	7	16	61
TKR01079	30	1.82	30	195	47	7	18	78
TKR01080	35	2.4	35	210	60	7	22	93
TKR01081	45	3.3	45	253	70	7	27	94
TKR01082	50	4.06	50	280	75	7	28	96

**6. Tube Thimble Painted or Galvanized**



Part No.	Rope Dia. (mm)	Weight (kg)	Dimensions(mm)				
			A	B	C	D	E
TKR01083	12	0.25	12	90	23	4	8
TKR01084	15	0.42	15	109	27	5	10
TKR01085	17	0.5	17	115	27	5	10
TKR01086	19	0.6	19	125	32	5	12
TKR01087	22	0.75	22	140	35	5	15
TKR01088	25	1.23	25	158	45	6.3	16
TKR01089	28	1.54	28	176	45	7	16
TKR01090	30	1.82	30	195	47	7	18
TKR01091	35	2.4	35	210	60	7	22
TKR01092	45	3.3	45	253	70	7	27
TKR01093	50	4.06	50	280	75	7	28



## 7.DIN3091 Type Thimble with Hole

Part No.	Size (mm)	Dimensions(mm)		
		A	B	C
TKR01094	8	9	40	14
TKR01095	10	11	50	18
TKR01096	12	13	60	21
TKR01097	14	16	70	25
TKR01098	16	18	80	28
TKR01099	18	20	90	31
TKR01100	20	22	100	35
TKR01101	22	24	110	38
TKR01102	24	26	120	41
TKR01103	26	29	130	44
TKR01104	28	31	140	47
TKR01105	32	35	160	53
TKR01106	36	40	180	59
TKR01107	40	44	200	65
TKR01108	44	48	220	70

